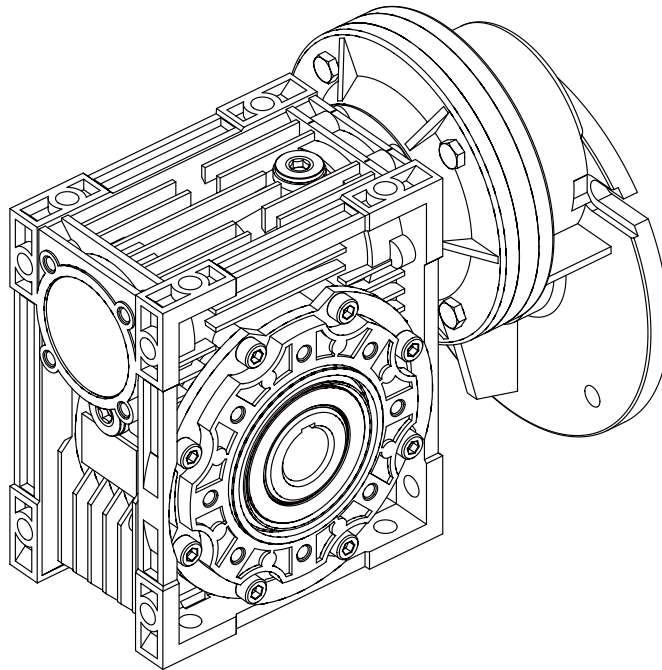


## PC-NMRV

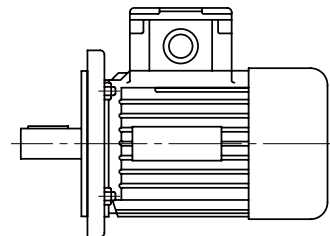
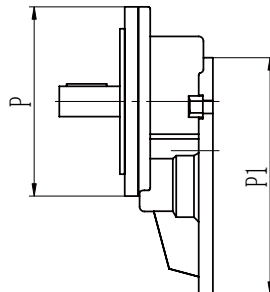
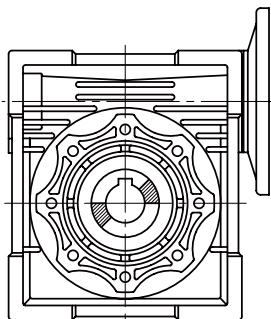


### PC-NMRV model & marker

PC-071-NMRV-063-30-VS-F1(FA)-AS-71B5-0.37kW-B3			
PC	Pre-stage helical module		
071	Size		
NMRV	Worm geared motor		
063	Center distance		
30	Reduction ratio		
VS	Double input shaft	F1(FA)	Output flange
AS	Single output shaft	AB	Double output shaft
PAM	Fitted for motor coupling	71B5	Motor size & mounting position
0.37kW	Power of Electric motor	B3	Mounting position

## PC+NMRV combinations

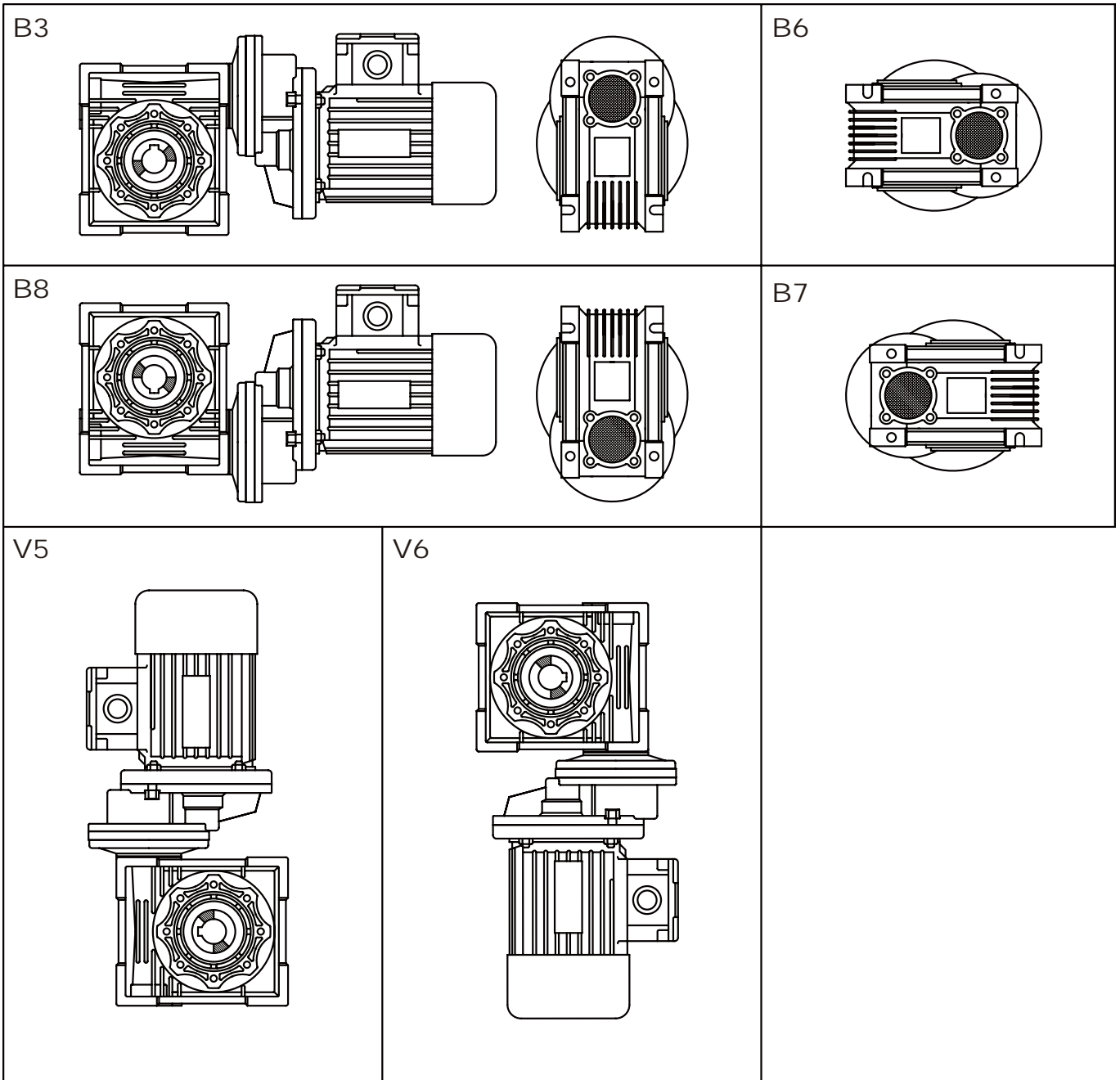
NMRV	i	PC063		PC071		PC080			PC090		
		105/11	105/14	120/14	120/19	160/19	160/24	160/28	160/19	160/24	160/28
		2.93	i=2.93	i=2.94	i=2.94	i=3	i=3	i=3	i=2.45	i=2.45	i=2.45
040	25										
	30										
	40										
	50										
	60										
	80										
100											
050	25										
	30										
	40										
	50										
	60										
	80										
100											
063	25										
	30										
	40										
	50										
	60										
	80										
100											
075	25										
	30										
	40										
	50										
	60										
	80										
100											
090	25										
	30										
	40										
	50										
	60										
	80										
100											
110	25										
	30										
	40										
	50										
	60										
	80										
100											
130	25										
	30										
	40										
	50										
	60										
	80										
100											



	P1	P	(P)
PC 063	63B5-140/11	105/11	(105/14)
PC 071	71B5-160/14	120/14	(120/19)
PC 080	80B5-200/19	160/19	(160/24)
			(160/28)
PC 090	90B5-200/24	160/24	(160/19)
			(160/28)

(..)Only on request

## PC-NMRV mounting positions

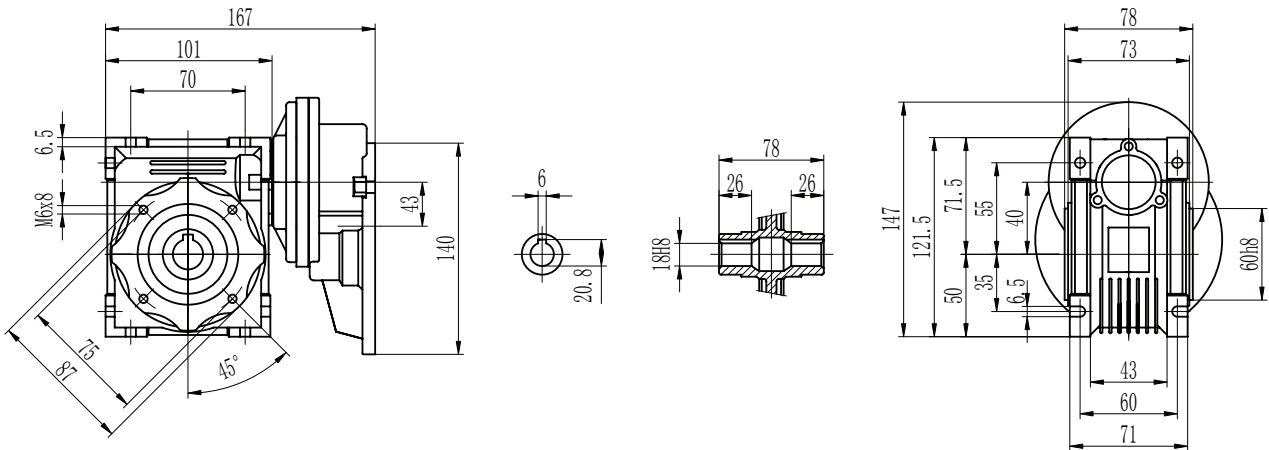


## Choice of lubrication

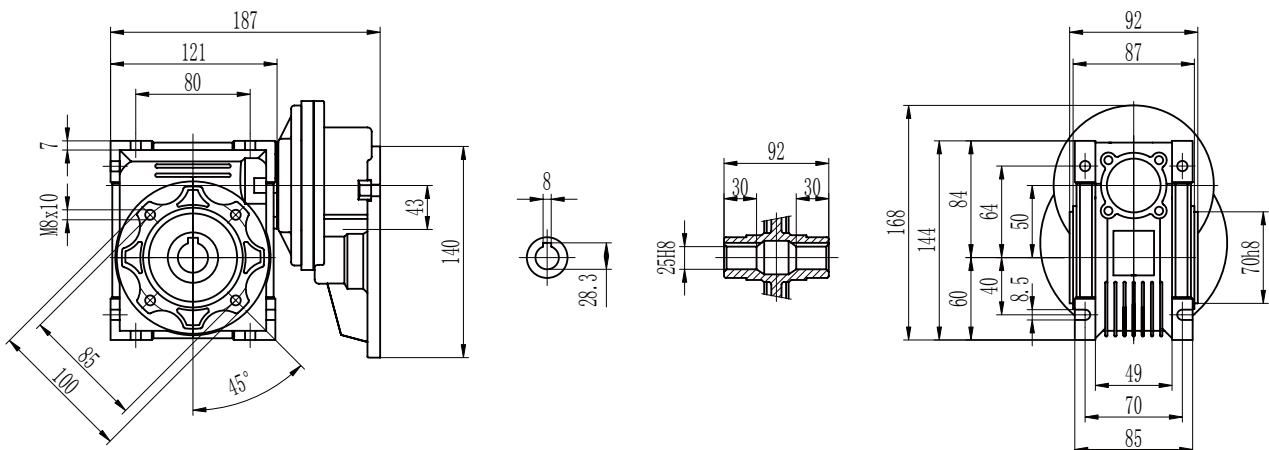
Q. ty of oil in litres				Synthetic oil		
				ISO	VG32	VG320
Used in China				GuangYan lubrication	CKC150	
Used in Abroad				IP	TELIUM VSF	
				SHELL	TIVELA OIL SC320	
				AGIP	BLASIA S320	
				MOBIL	GLYGOYLE 30	
				CASTROL	ALPHASYN PG 320	
063	071	080	090			
0.16	0.25	0.28	0.28			

# PC+NMRV dimensions

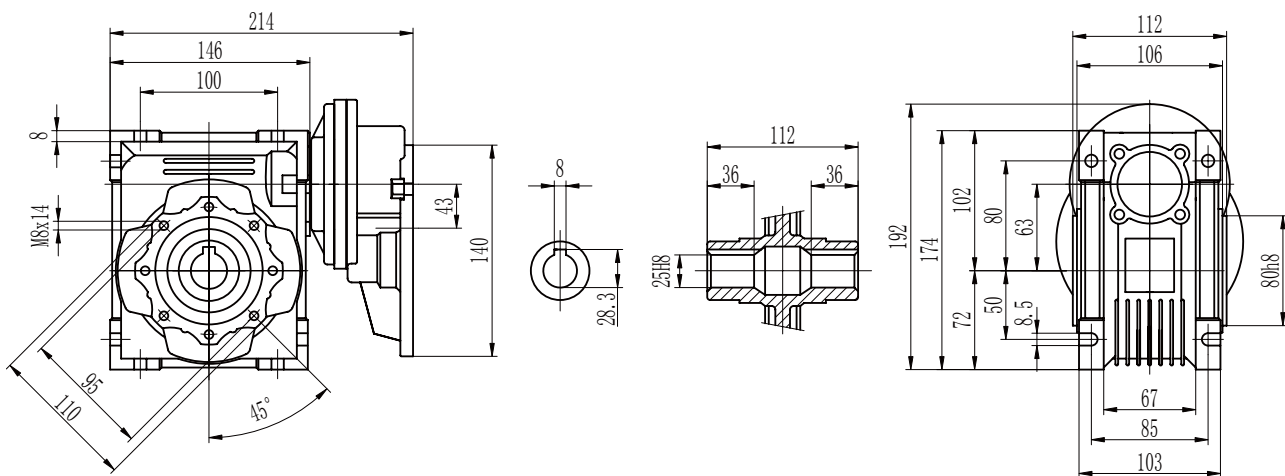
PC 063 - NMRV 040



PC 063 - NMRV 050

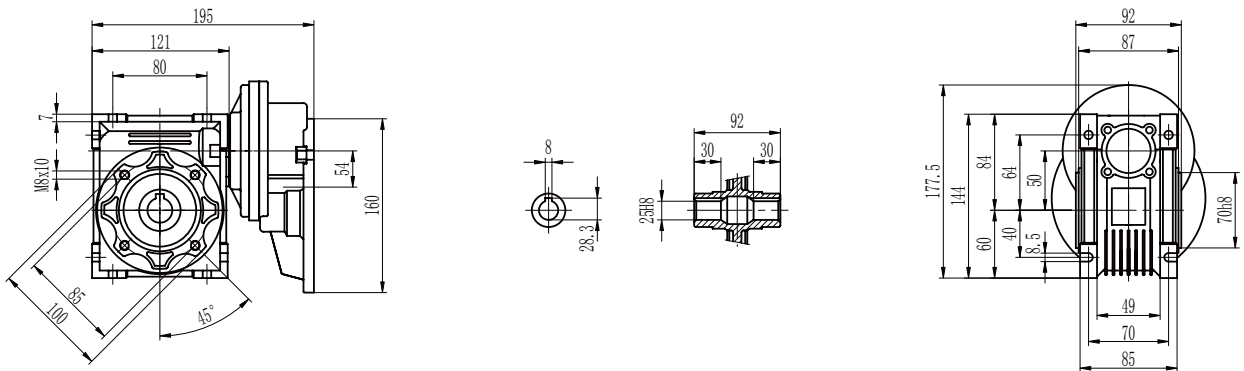


PC 063 - NMRV 063

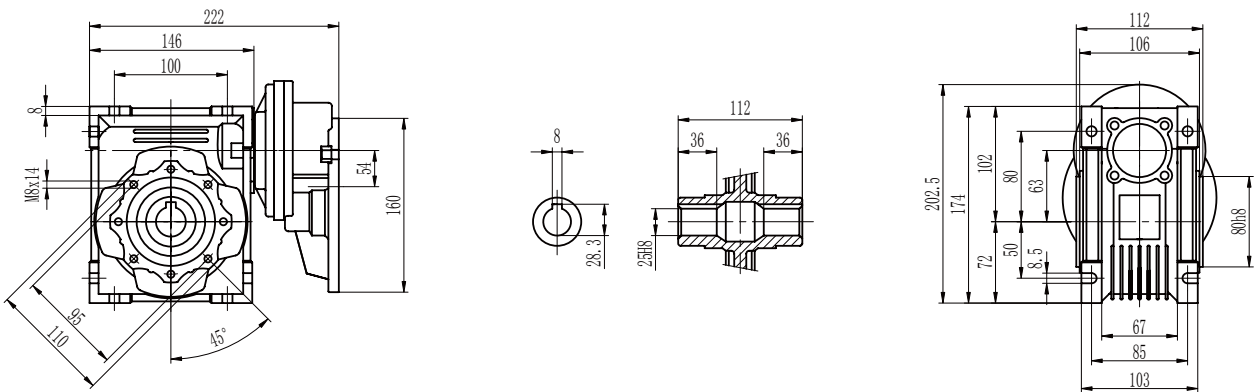


# PC+NMRV dimensions

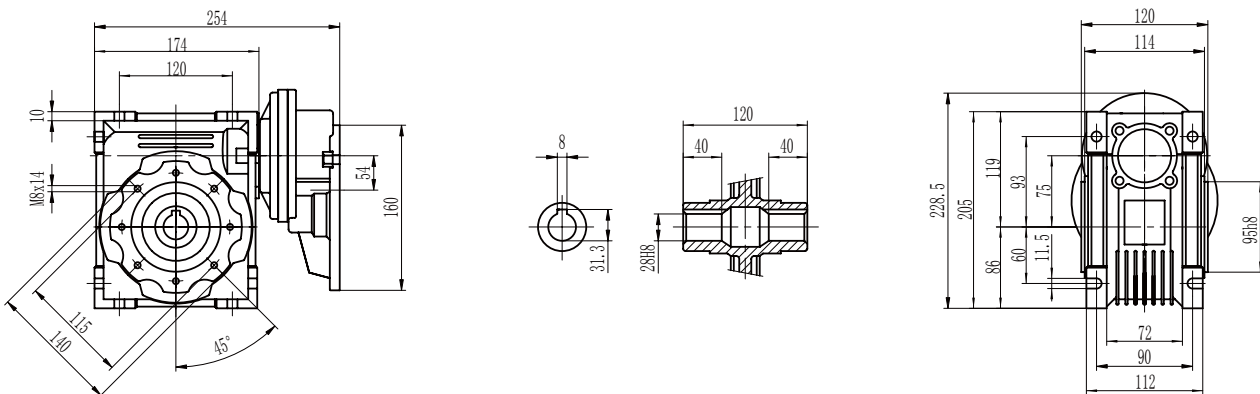
PC 071 - NMRV 050



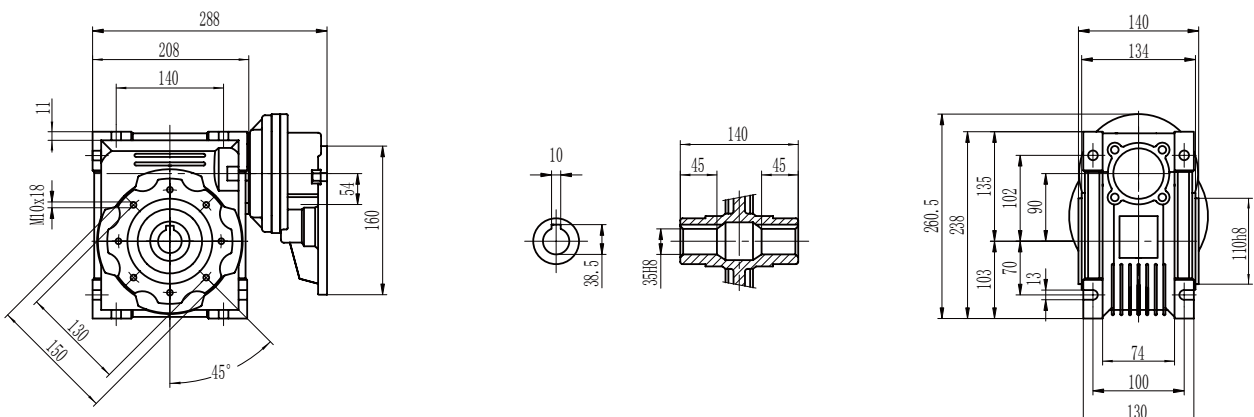
PC 071 - NMRV 063



PC 071 - NMRV 075

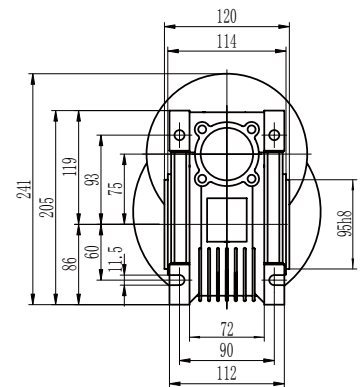
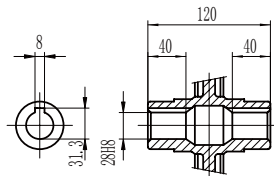
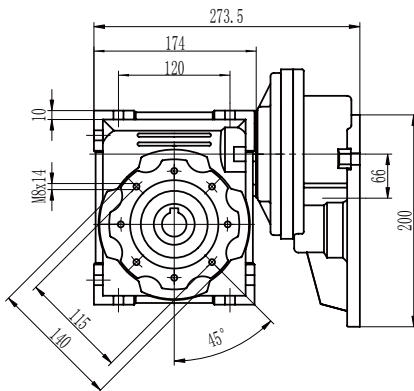


PC 071 - NMRV 090

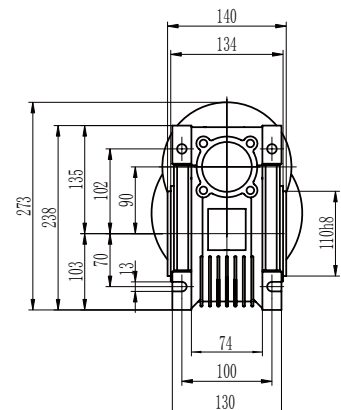
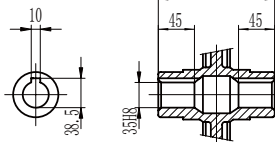
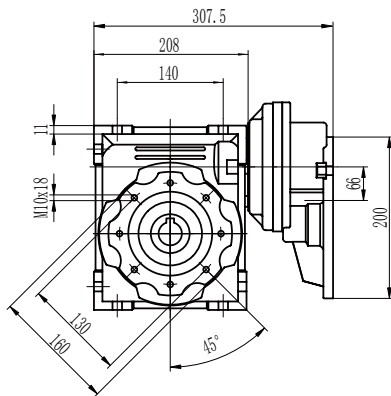


# PC+NMRV dimensions

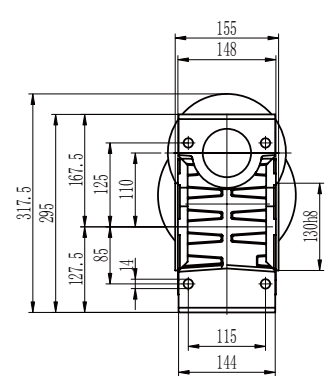
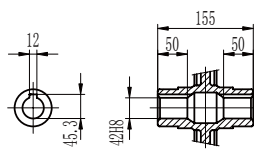
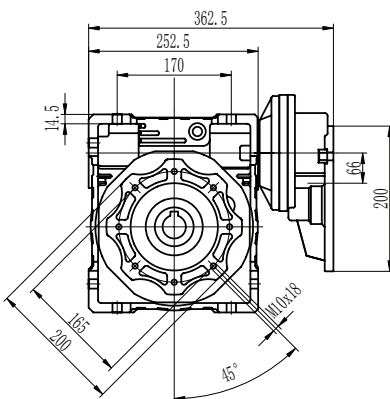
PC 080 - NMRV 075



PC 080 - NMRV 090



PC 080(090) - NMRV 110



PC 080(090) - NMRV 130

